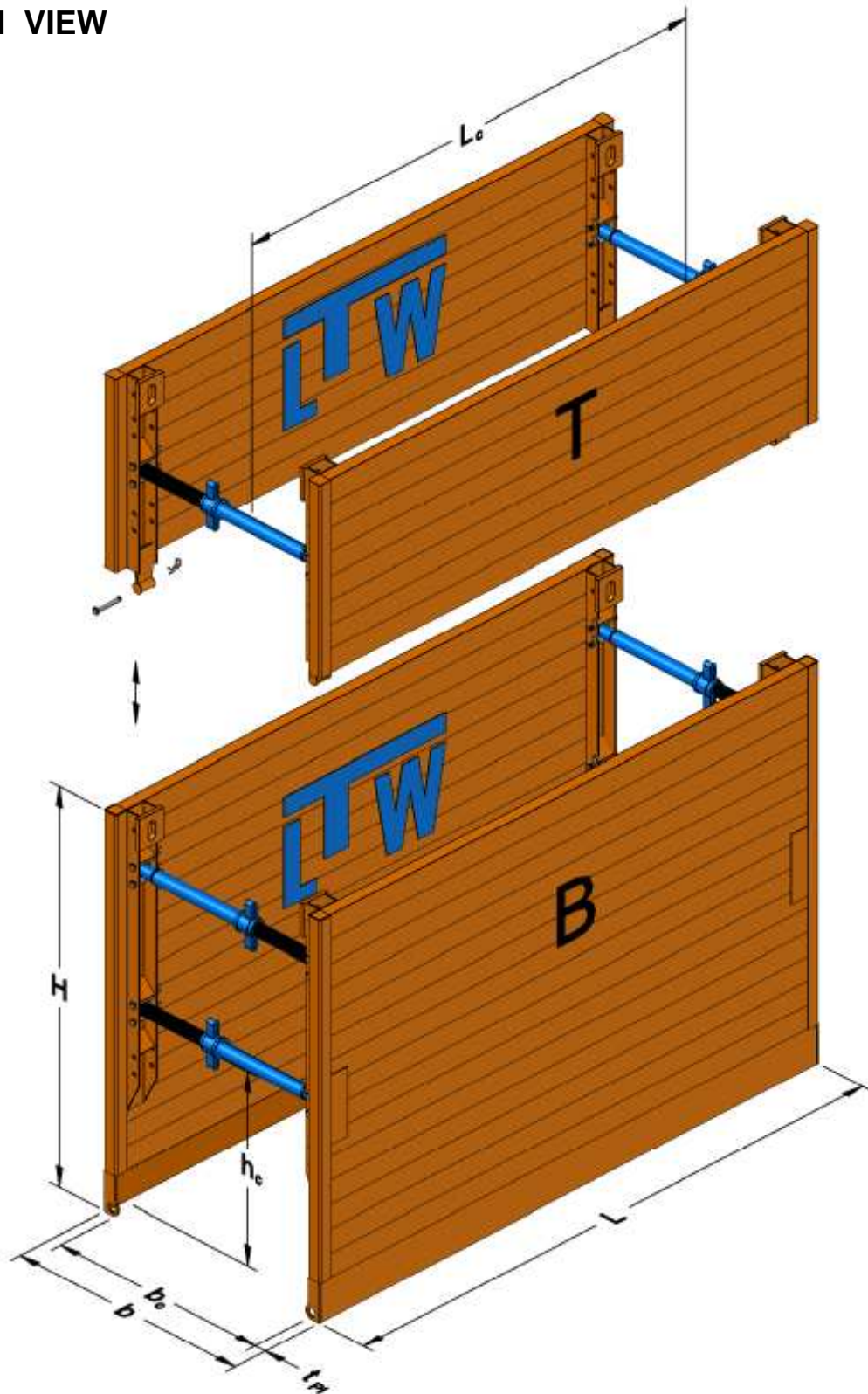


# TECHNICAL CHARACTERISTICS

## LTW MINIBOX



### SYSTEM VIEW



**B** Base Box  
**T** Top Box  
**H** Plate Height

**b** Shoring Width  
**b<sub>c</sub>** Inner Working Width  
**t<sub>Pl</sub>** Plate Thickness

**h<sub>c</sub>** Pipe culvert height  
**L** Plate Length  
**L<sub>c</sub>** Pipe Culvert Length

# TECHNICAL CHARACTERISTICS

## LTW MINIBOX



### BASE BOXES $t_{PI} = 60\text{mm}$

Plate length L [ m ]	Plate height H [ m ]	Pipe culvert length L <sub>c</sub> [ m ]	Pipe culvert height h <sub>c</sub> [ m ]	Limit state design load e <sub>d</sub> [ kN / m <sup>2</sup> ]	Plate weight G <sub>PL</sub> [ kg ]	Box weight G <sub>E</sub> [ kg ]
1,00	1,50	0,69	0,72	103,0	130	305
	2,00		0,98	87,0	170	390
1,50	1,50	1,19	0,72	68,6	170	385
	2,00		0,98	58,2	225	490
2,00	1,50	1,69	0,72	53,3	210	465
	2,00		0,98	40,8	275	595
2,50	1,50	2,19	0,72	42,6	250	545
	2,00		0,98	32,6	325	700
3,00	1,50	2,69	0,72	32,0	290	625
	2,00		0,98	27,2	380	805
3,50	1,50	3,19	0,72	30,0	390	835
	2,00		0,98	30,0	520	1090

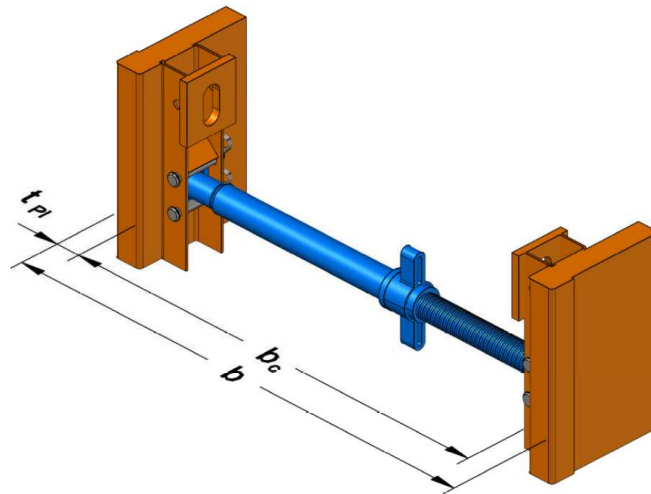
### TOP BOXES $t_{PI} = 60\text{mm}$

Plate length L [ m ]	Plate height H [ m ]	Pipe culvert length L <sub>c</sub> [ m ]	Pipe culvert height h <sub>c</sub> [ m ]	Limit state design load e <sub>d</sub> [ kN / m <sup>2</sup> ]	Plate weight G <sub>PL</sub> [ kg ]	Box weight G <sub>E</sub> [ kg ]
1,00	0,50	0,69	-	103,0	60	145
	1,00				100	220
1,50	0,50	1,19	-	68,6	75	175
	1,00				125	275
2,00	0,50	1,69	-	53,3	90	205
	1,00				150	325
2,50	0,50	2,19	-	42,6	110	240
	1,00				180	380
3,00	0,50	2,69	-	32,0	125	270
	1,00				205	435
3,50	0,50	3,19	-	30,0	155	330
	1,00				275	570

### TENSILE FORCES

lifting eyes at the plate head  $R_d = 229 \text{ kN}$   
 bottom eyes  $R_d = 23 \text{ kN}$

### MINIBOX STRUT



Type	Stroke [ m ]	Working Width $b_c$ [ m ]	Shoring Width $b$ [ m ]	Weight G [ kg ]
<b>A</b>	0,10	0,53 - 0,63	0,65 - 0,75	12
<b>B</b>	0,19	0,62 - 0,81	0,74 - 0,93	13
<b>C</b>	0,37	0,80 - 1,17	0,92 - 1,29	16
<b>D</b>	0,73	1,16 - 1,89	1,28 - 2,01	21
<b>E</b>	0,73	1,87 - 2,60	2,00 - 2,73	34

